

# CloudSense-P3U Specifications



May 2017

**Pinmicro K.K. Confidential and Proprietary**

**Restricted Distribution:** This documentation is the property of Pinmicro K.K. Not to be used, copied, reproduced in whole or in part, nor its contents revealed in any manner to others without the prior written permission of Pinmicro K.K.

In case of any queries please contact us on [support@pinmicro.com](mailto:support@pinmicro.com)

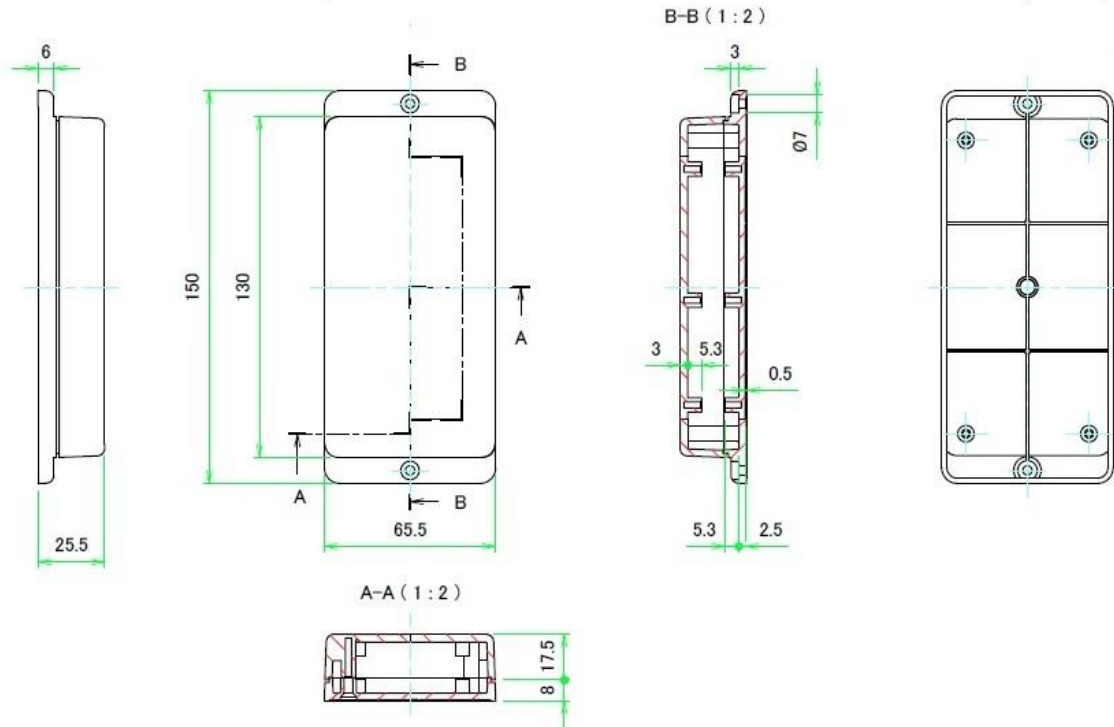
---

# CloudSense-P3U

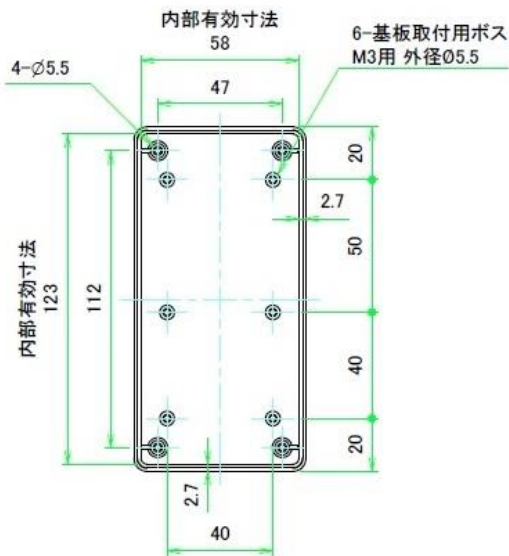
---

CloudSense is an intelligent hardware using Bluetooth low energy technology which can detect and collect information from surrounding beacons. It can then transfer the collected information to the cloud through LAN. CloudSense have built-in storage capability to keep collected information. It supports the Power-over-Ethernet POE connectivity.

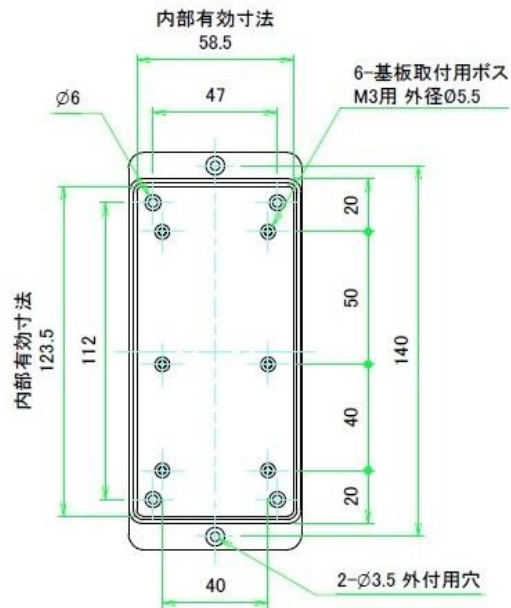
# Physical Dimensions



カバー内側



フランジ内側



## CloudSense-P3U Specifications

|                             | Property              | Value                                 | Unit |
|-----------------------------|-----------------------|---------------------------------------|------|
| <b>Dimension and Weight</b> | Length                | 150                                   | mm   |
|                             | Width                 | 65                                    | mm   |
|                             | Height                | 25.5                                  | mm   |
|                             | Color                 | White                                 |      |
|                             | Weight                | 200                                   | gm   |
| <b>Power</b>                | USB                   | 5                                     | V    |
| <b>Memory</b>               | Flash                 | 2                                     | GB   |
|                             | RAM                   | 512                                   | MB   |
| <b>Radio : Bluetooth</b>    | RF protocol           | Bluetooth 4.0 smart                   |      |
|                             | Frequency band        | 2.4                                   | GHz  |
|                             | Transmitting power    | 0 or -20                              | dB   |
|                             | Receiver Sensitivity  | -88                                   | dB   |
| <b>Operation</b>            | Operating temperature | 0 to +70                              | °C   |
|                             | Operating voltage     | 5                                     | V    |
| <b>LAN</b>                  | Compliance            | IEEE802.3af                           |      |
|                             | Transformer isolation | 1500 Volt isolation (input to output) |      |
| <b>Radio : Wifi</b>         | RF protocol           | 802.11 B/G/N                          |      |
|                             | Frequency band        | 2.4                                   | GHz  |
|                             | Transmitting power    | 25                                    | dB   |