

CloudSense-P3U Specifications



May 2017

Pinmicro K.K. Confidential and Proprietary

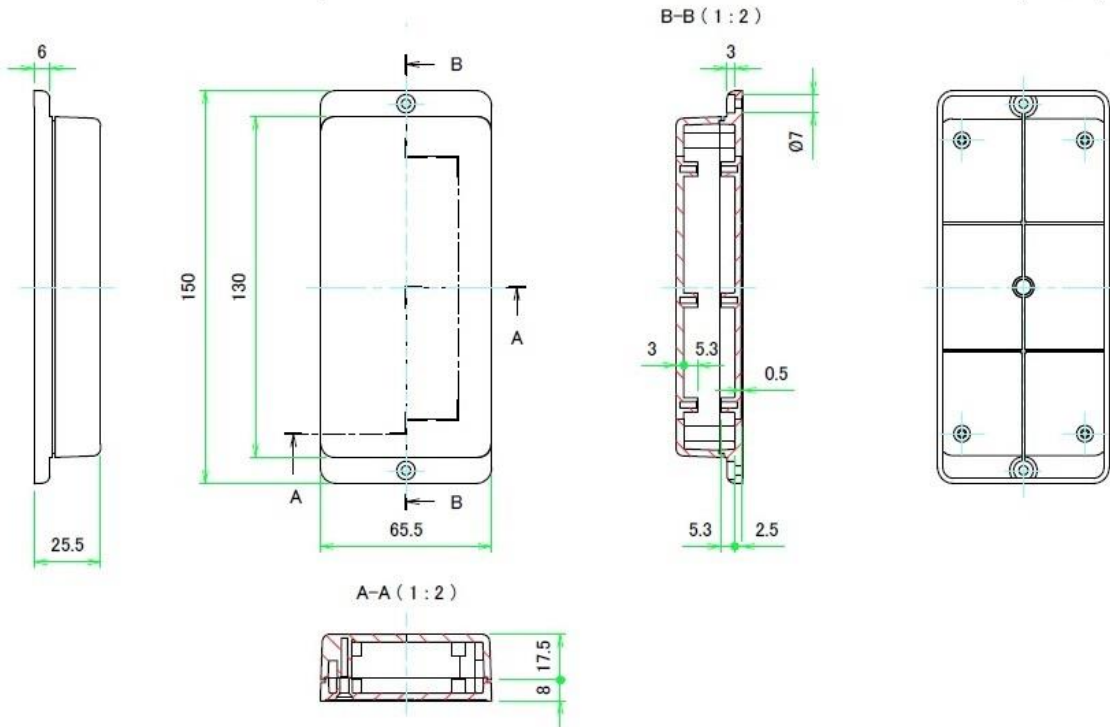
Restricted Distribution: This documentation is the property of Pinmicro K.K. Not to be used, copied, reproduced in whole or in part, nor its contents revealed in any manner to others without the prior written permission of Pinmicro K.K.

In case of any queries please contact us on support@pinmicro.com

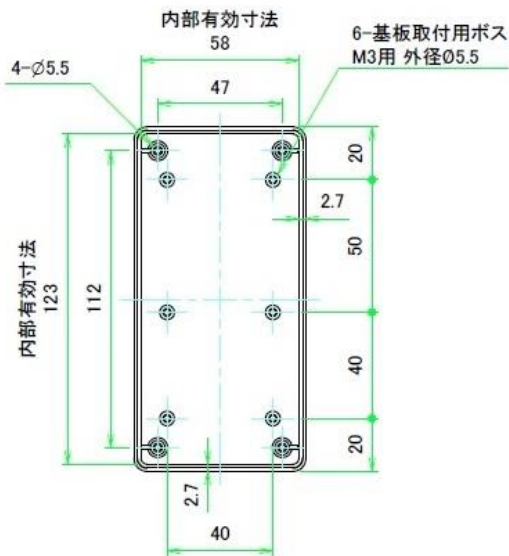
CloudSense-P3U

CloudSense is an intelligent hardware using Bluetooth low energy technology which can detect and collect information from surrounding beacons. It can then transfer the collected information to the cloud through LAN. CloudSense have built-in storage capability to keep collected information. It supports the Power-over-Ethernet POE connectivity.

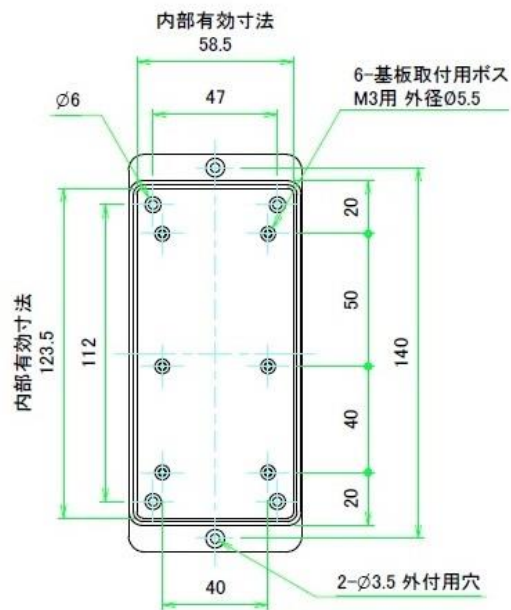
Physical Dimensions



カバー内側



フランジ内側



CloudSense-P3U Specifications

	Property	Value	Unit
Dimension and Weight	Length	150	mm
	Width	65	mm
	Height	25.5	mm
	Color	White	
	Weight	200	gm
Power	USB	5	V
Memory	Flash	2	GB
	RAM	512	MB
Radio : Bluetooth	RF protocol	Bluetooth 4.0 smart	
	Frequency band	2.4	GHz
	Transmitting power	0 or -20	dB
	Receiver Sensitivity	-88	dB
Operation	Operating temperature	0 to +70	°C
	Operating voltage	5	V
LAN	Compliance	IEEE802.3af	
	Transformer isolation	1500 Volt isolation (input to output)	
Radio : Wifi	RF protocol	802.11 B/G/N	
	Frequency band	2.4	GHz
	Transmitting power	25	dB